



FOTON

45.110 MWB

SILVERBACK



*Illustration may contain items not standard to the model.



KEY FEATURES

Cummins 2.8 ISF engine

Emissions: Euro V - ADR 80/03

ECE-R29 compliant cabin

SCR Technology

Cruise Control

110kW @2900rpm, 360Nm @1500-2900rpm

3 years /160,000 km warranty¹

20,000 km regular service intervals

Anti-lock Braking System (ABS)

GVM 4490 kg



FOTON



ENGINE	
Engine	2.8L Cummins ISF Euro5
Power	110kW @ 2900 rpm
Max. torque Nm/rpm	360Nm @ 1500-2900 rpm
Type	4 Cylinder 16 valve
Displacement	2.780
Fuel injection system	Direct injection high pressure common rail system
Air intake system	Turbocharged and air-to-air intercooler
Air cleaner	Paper element

CLUTCH	
Type	Dry single plate with damper springs
Size (diameter)	310mm
Control	Air assisted

TRANSMISSION	
Type	ZF - 5 speed
Model	5S420
Gear ratio	1st: 5.015
	2nd: 2.543
	3rd: 1.536
	4th: 1.000
	5th: 0.789
Rev:	4.481
PTO	Provision LHS transmission case

ELECTRICAL SYSTEM	
Type	12 volt system
Batteries	12 volt - 120AH
Starter capacity	12 volt / 2.5kW

FUEL	
Volume	80L
Tank material	Aluminium alloy

BRAKES	
Type	Auto adjusting with dual circuit hydraulic control, vacuum assist
ABS	4 channel type
Front disc size	296 / 35 mm
Rear drum size	300 x 75 mm
Parking brake	Drum brake off transmission
Exhaust brake	Vacuum controlled

WHEELS AND TYRES	
Wheels type	6 stud wheel
Front	205/75R17.5
Rear	205/75R17.5 Dual
Number of tyres	7 including spare

VEHICLE PERFORMANCE	
Top speed km/h	115
Gradeability % @ GVM	37
Final drive ratio	4.375

AXLE LOAD AND TYRE LOAD LIMITS	
Front axle	Solid I-beam
Front axle tyre rating kg	2400 kg
Rear axle	Full floating banjo type
Rear axle tyre rating kg	4000 kg

SUSPENSION	
Front	Taper leaf spring, double acting telescopic hydraulic shock absorbers
Leaf spring No.	7
Rear	Multi-leaf main spring with multi-leaf helper, double acting telescopic hydraulic shock absorbers
Leaf spring No.	5 + 4

VEHICLE WEIGHTS	
GVM	4490 kg
GCM	7000 kg
Front axle weight	654 kg
Rear axle weight	1389 kg
Total vehicle tare weight	2100
Rated load capacity kg	2390

STEERING	
Type	Power assisted recirculating ball type



CABIN INTERIOR	
Steering	Telescopic/tilting steering column with locking device
Windscreen glass	Laminated glass
Seating capacity	Three
Drivers seat	2-way adjustable, urethane foam pads
Passengers seat	Reclining seat, fixed centre seat
Seat cover	Fabric
Drivers seat belt	3 point type
Passenger seat belt	3 point type
Centre passenger seat belt	2 point type
Sunvisors	Driver and Passenger
Ventilator	Forced type - electric blower
Inside rear mirror	Flat type
Audio	AM/FM radio with CD player
Reversing sensors	Digital distance display/buzzer
Air conditioning	Yes
Remote central locking	Yes
Power windows	Yes
Cruise control	Yes
Windscreen wipers 2-speed with intermittent function	Yes
Halogen multi-reflector headlamps	Yes
Fog lamps	Yes
Centre seat back console and 2 cup holders	Yes
Door pockets	Yes
Entry assist handles	Yes



INSTRUMENTS	
Meters and gauges	Electronically driven speedometer and tachometer
	Digital odometer with integrated dual tripmeter
	Coolant temperature
Warning, pilot lamps and sensors	Fuel level/Urea gauges
	Turn signal and hazard
	Exhaust brake
	Engine oil pressure
	Alternator
	High beam
	Fog lamp front
	Parking brake
	Engine failure
	Fuel level warning
	Brake fluid low level
	ABS system failure
	Urea alarm
	Reverse sensor



CABIN EXTERIOR

Type	Forward control, all steel welded construction
Cabin strength standard	Complies to ECE-R29
Heavy duty non slip entry step	Yes
Roof mounted clearance lamps	NA
Front mud flaps	Yes

VEHICLE DIMENSIONS

Wheel base (mm)	3360
Overall dimensions (LxWxH) (mm)	5980 x 1995 x 2200
Wheel track (front/rear) (mm)	1530/1425
Minimum ground clearance (mm)	180

CHASSIS FRAME

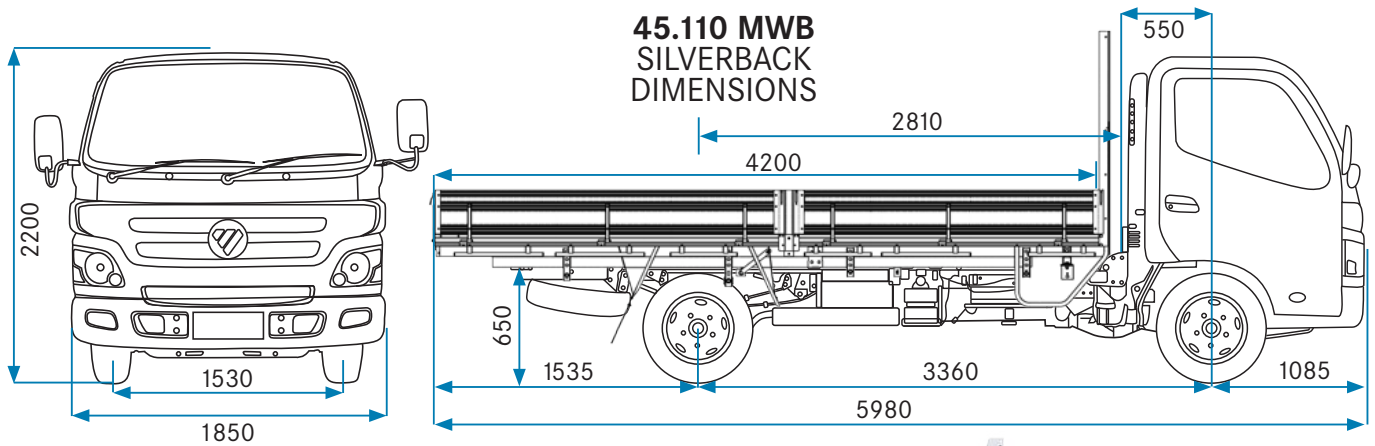
Type	Cold riveted ladder frame
Chassis width at rear	700mm
Side rail dimensions	170 x 60 x 5mm
Maximum tensile strength	630 N/mm ²
Towing hooks	Fitted front and rear

WARRANTY

3 years/160,000km ¹	Standard
Cab corrosion perforation	3 years/Unlimited km
24/7 Foton Truck Assist ²	Standard



1800 355 321



All efforts have been made to ensure the information contained in this specification brochure was correct at time of printing or uploading. Foton Trucks Australia/Ateco Automotive Pty Ltd has the right to alter any details of the specifications and equipment without notice. As permitted by law Foton Trucks shall not be liable in any way as a result of any reliance placed by any person on anything contained in this specification brochure. All customers should check with your authorised Foton Truck dealer at the time of ordering your new truck that colour, equipment and specification, features and options are available for the vehicle you are ordering. 1. 3 year/160,000km warranty (whichever comes first). 2. Conditions apply. Ateco Automotive Pty Ltd ABN: 34 000 486 706.

fotontrucks.com.au



FOTON